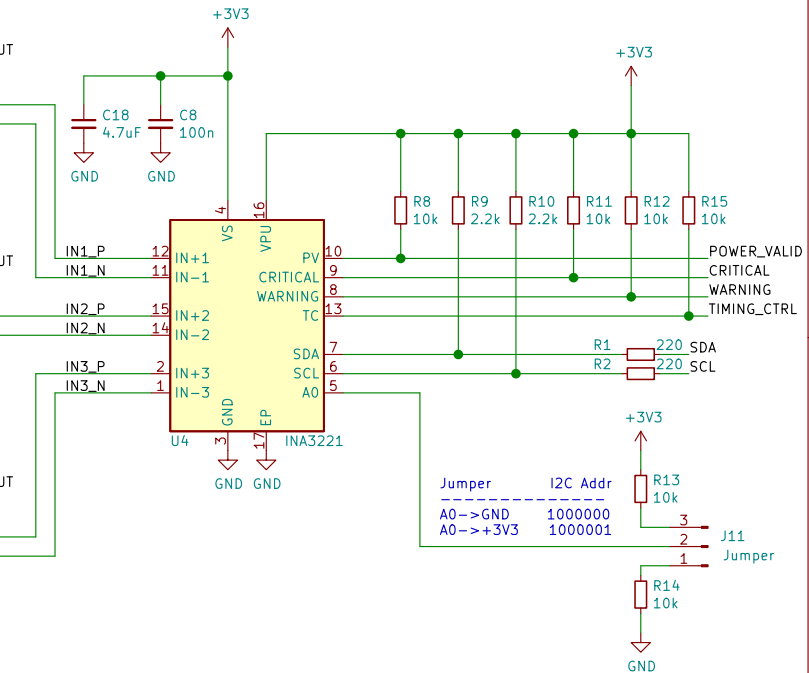
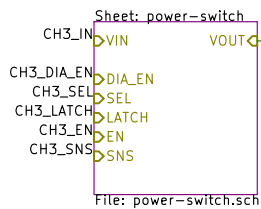
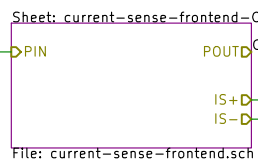
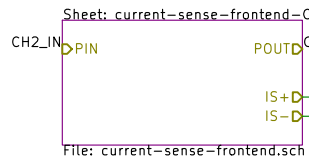
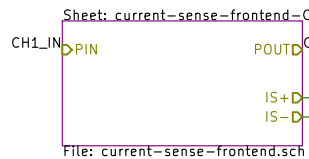
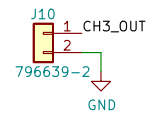
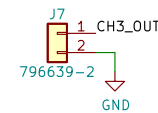
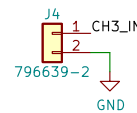
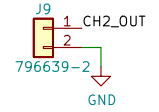
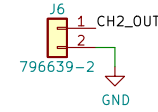
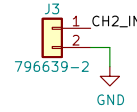
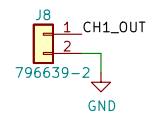
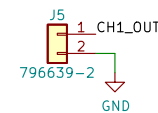
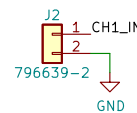
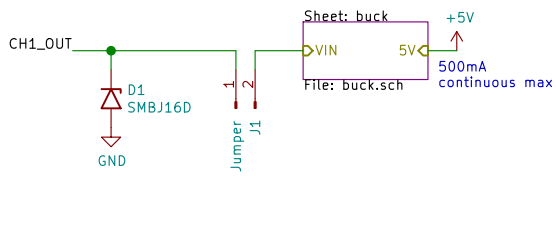


CH1_IN, CH1_OUT
CH2_IN, CH2_OUT
CH3_IN, CH3_OUT
are rated 0-24V 10A,
absolute maximum 26V



CH1 can be used to power Arduino or Feather via a buck converter. Disconnect jumper J1 if Arduino or Feather have their own separate power.



- H1 MountingHole
- H2 MountingHole
- H3 MountingHole
- H4 MountingHole
- FID4 Fiducial
- FID5 Fiducial
- FID6 Fiducial
- FID1 Fiducial
- FID2 Fiducial
- FID3 Fiducial

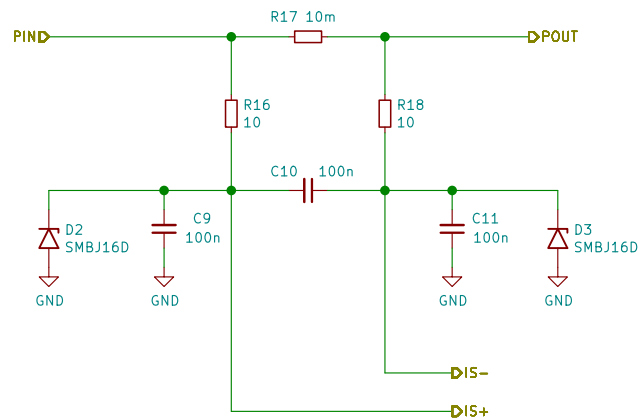
Beast Devices

Sheet: /

File: TougherPowerMeter-FeatherWing.sch

Title: Tougher INA3221 Power Meter

Size: A4	Date: 2020-09-05	Rev: 1.0
KiCad E.D.A. kicad (5.1.6)-1		Id: 1/6

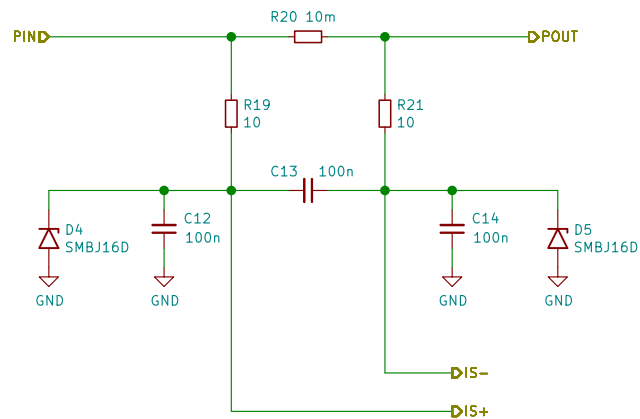


Beast Devices

Sheet: /current-sense-frontend-CH3/
File: current-sense-frontend.sch

Title: Tougher INA3221 Power Meter

Size: A4	Date:	Rev:
KiCad E.D.A. kicad (5.1.6)-1		Id: 2/6

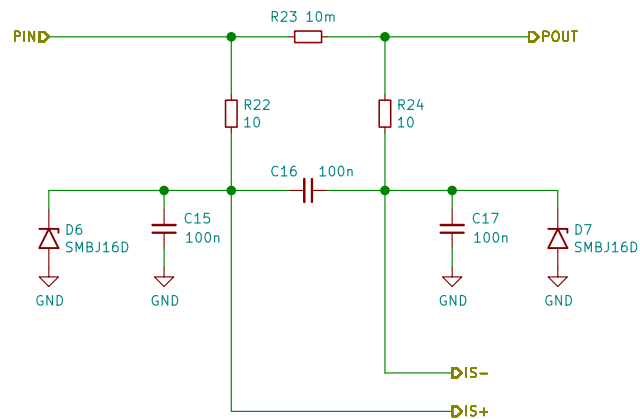


Beast Devices

Sheet: /current-sense-frontend-CH2/
 File: current-sense-frontend.sch

Title: Tougher INA3221 Power Meter

Size: A4	Date:	Rev:
KiCad E.D.A. kicad (5.1.6)-1		Id: 3/6

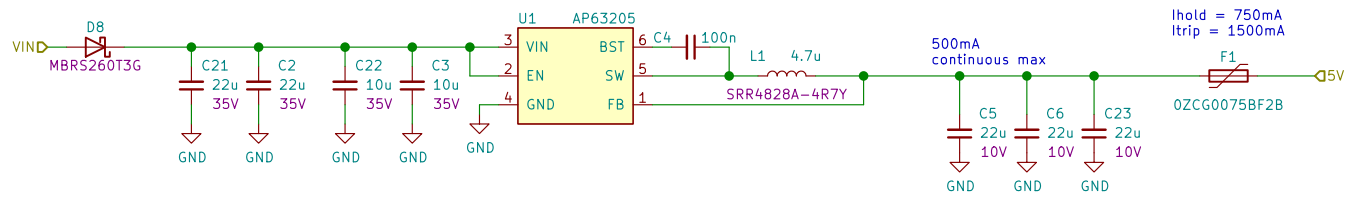


Beast Devices

Sheet: /current-sense-frontend-CH1/
 File: current-sense-frontend.sch

Title: Tougher INA3221 Power Meter

Size: A4	Date:	Rev:
KiCad E.D.A. kicad (5.1.6)-1		Id: 4/6



Beast Devices

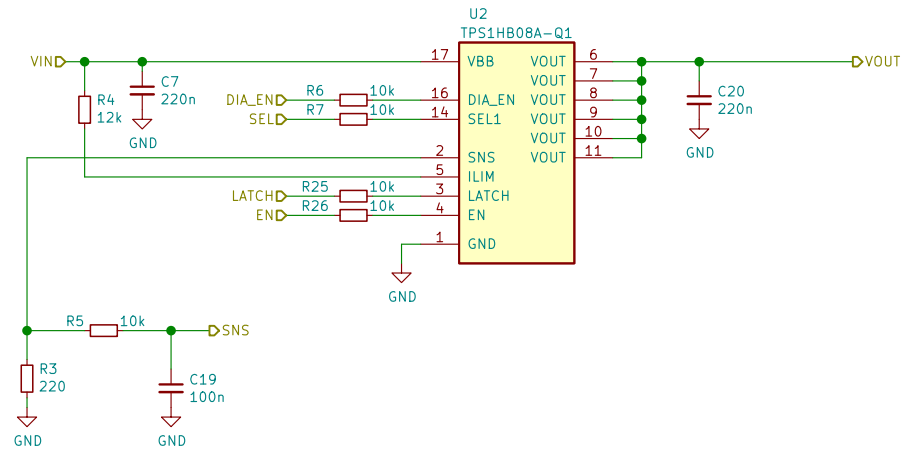
Sheet: /buck/
File: buck.sch

Title: Tougher INA3221 Power Meter

Size: A4 Date:
KiCad E.D.A. kicad (5.1.6)-1

Rev:
Id: 5/6

Current limit is set by R4
 $I_{lim} = K / R4$
 $K_{min} = 120$ @R4=12k Minimal current limit 10A
 $K_{typ} = 160$ Typical current limit 13.3A
 $K_{max} = 208$ Maximum current limit 17.5A



Beast Devices

Sheet: /power-switch/
 File: power-switch.sch

Title: Tougher INA3221 Power Meter

Size: A4	Date:	Rev:
KiCad E.D.A. kicad (5.1.6)-1		Id: 6/6